



CORLEY REDFOOT ZACK, Inc.

ARCHITECTS ENGINEERS PLANNERS

Addendum No. 8

Page 1

PROJECT: ORANGE COUNTY JUSTICE EXPANSION
EAST MARGARET LANE
HILLSBOROUGH, NORTH CAROLINA

PROJECT #: 0417

DATE: 2/16/07

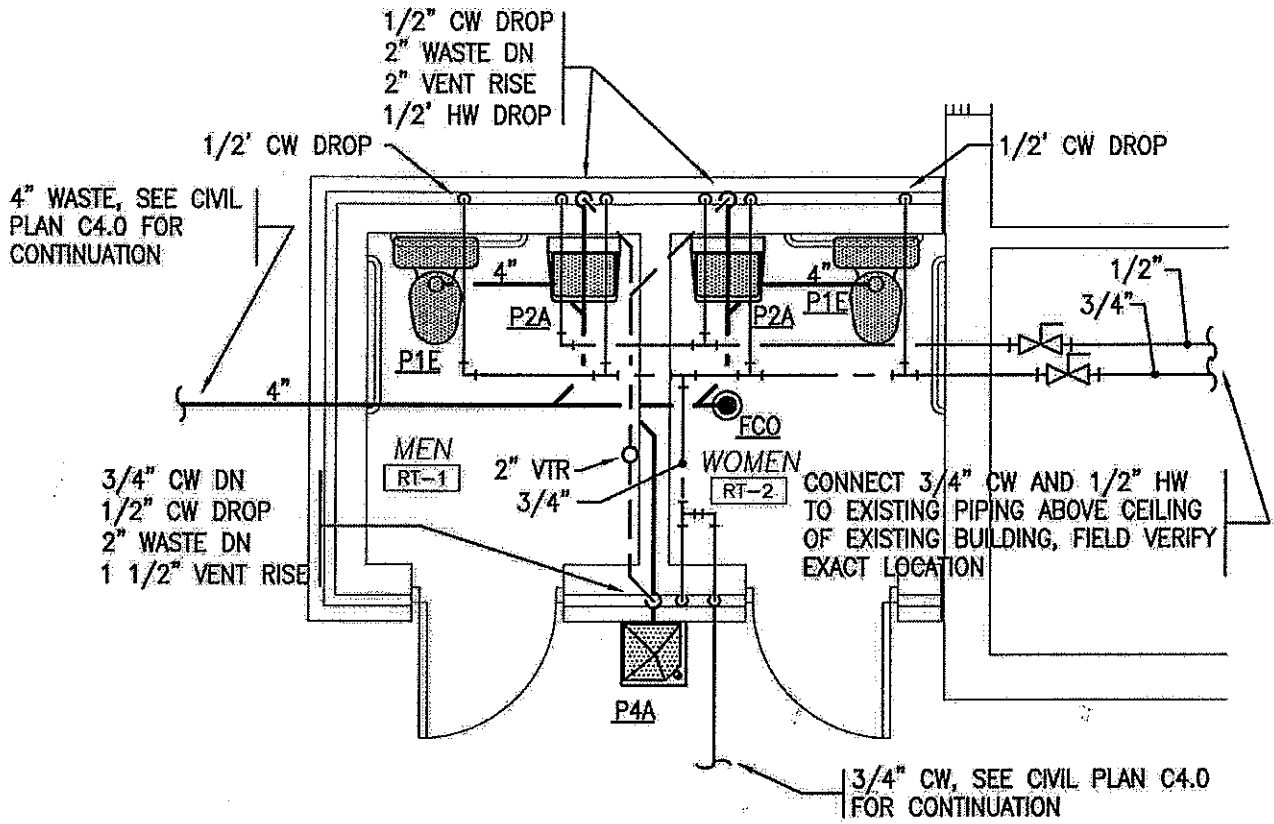
++++
**MODIFICATIONS TO THE CONTRACT DOCUMENTS FOR THE ABOVE-NAMED
PROJECT SHALL BE MADE AS DESCRIBED BELOW AND SHALL BE INCLUDED IN
THE BID AMOUNTS:**

A. PLUMBING DRAWINGS

1. **Sheet P1.1:** Add the Remote Toilet Plumbing Plan per the attached bulletin drawing, PBD-2.

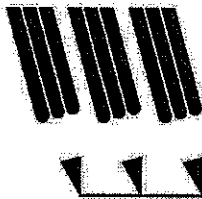
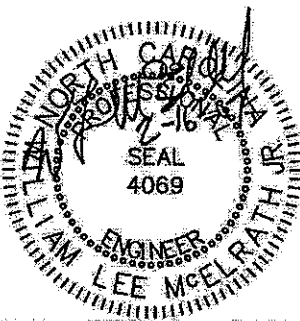
END OF ADDENDUM

[Attachments: Bulletin Drawing PBD-2]



REMOTE TOILET PLUMBING PLAN

SCALE: 1/4" = 1'-0"



Reece, Noland & McElrath, Inc.
499 Sixth Street, Suite 100, Box 540
Waynesville, North Carolina 27584

CORLEY REDFOOT ZACK, INC.
ARCHITECTS • ENGINEERS • PLANNERS
PO Box 2368, Chapel Hill, North Carolina 919 942-4586

Date	2/16/2007	Dwg.	PBD-2
Scale	1/8" = 1'-0"	Ref. Dwg.	A1.1
Title	REMOTE TOILET Plumbing Plan		
Project	Orange County Justice Expansion Hillsborough, North Carolina		